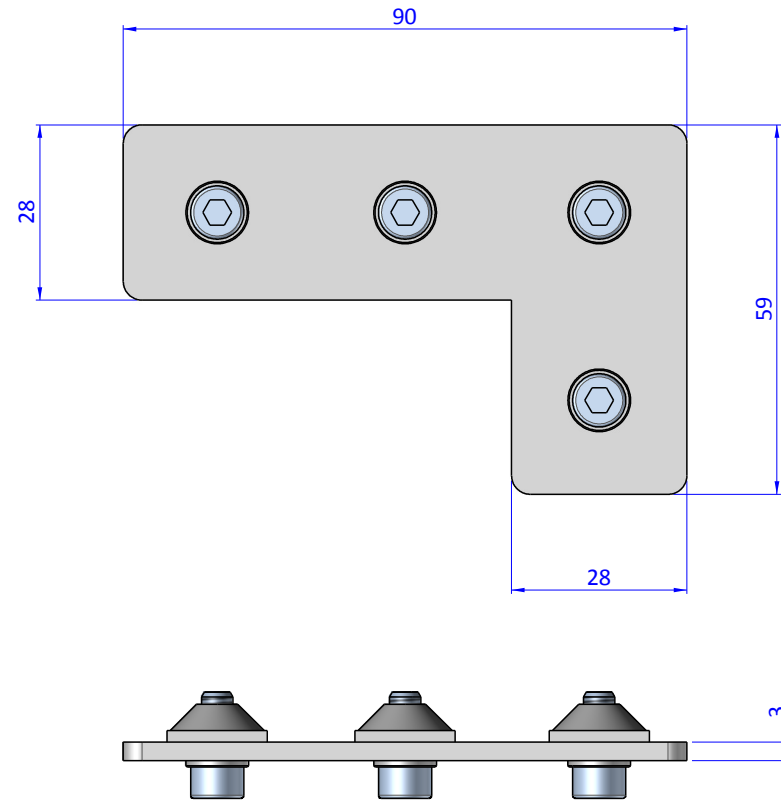
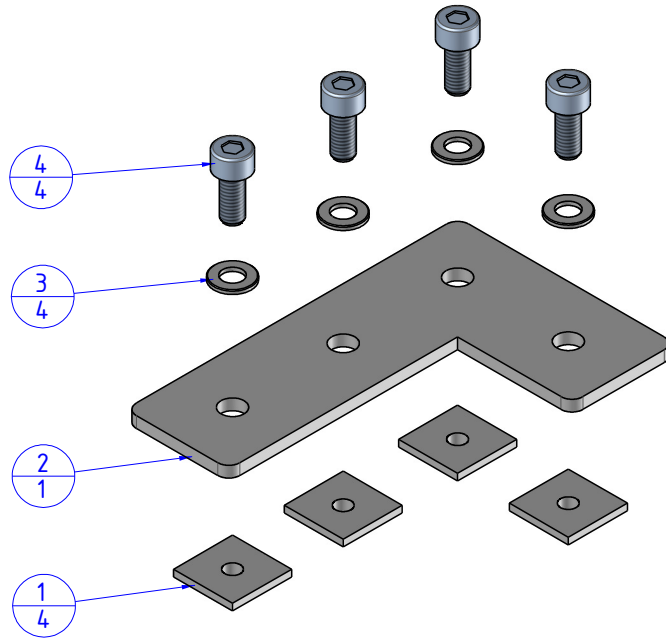


THE PROPERTY OF THE DRAWING IS ESTABLISHED BY LAW. IT IS FORBIDDEN TO PRODUCE OR SHOW IT TO THIRD PARTY, WITHOUT A WRITTEN AGREEMENT.

Item	Name	Q.ty
1	CA.02.05.008	4
2	03.10.007	1
3	R.5	4
4	VTCE5x12	4



Format A3

UNI 936-76

		DESIGNED FROM		REVIEW
		FPS Automation		A
GENERAL TOLERANCE		DATE	WEIGHT	
UNI - ISO 2768		08/11/2018	0,094kg	
CLASSE f	DESCRIPTION	CODE		
	CA.03.10.007	CA.03.10.007		